

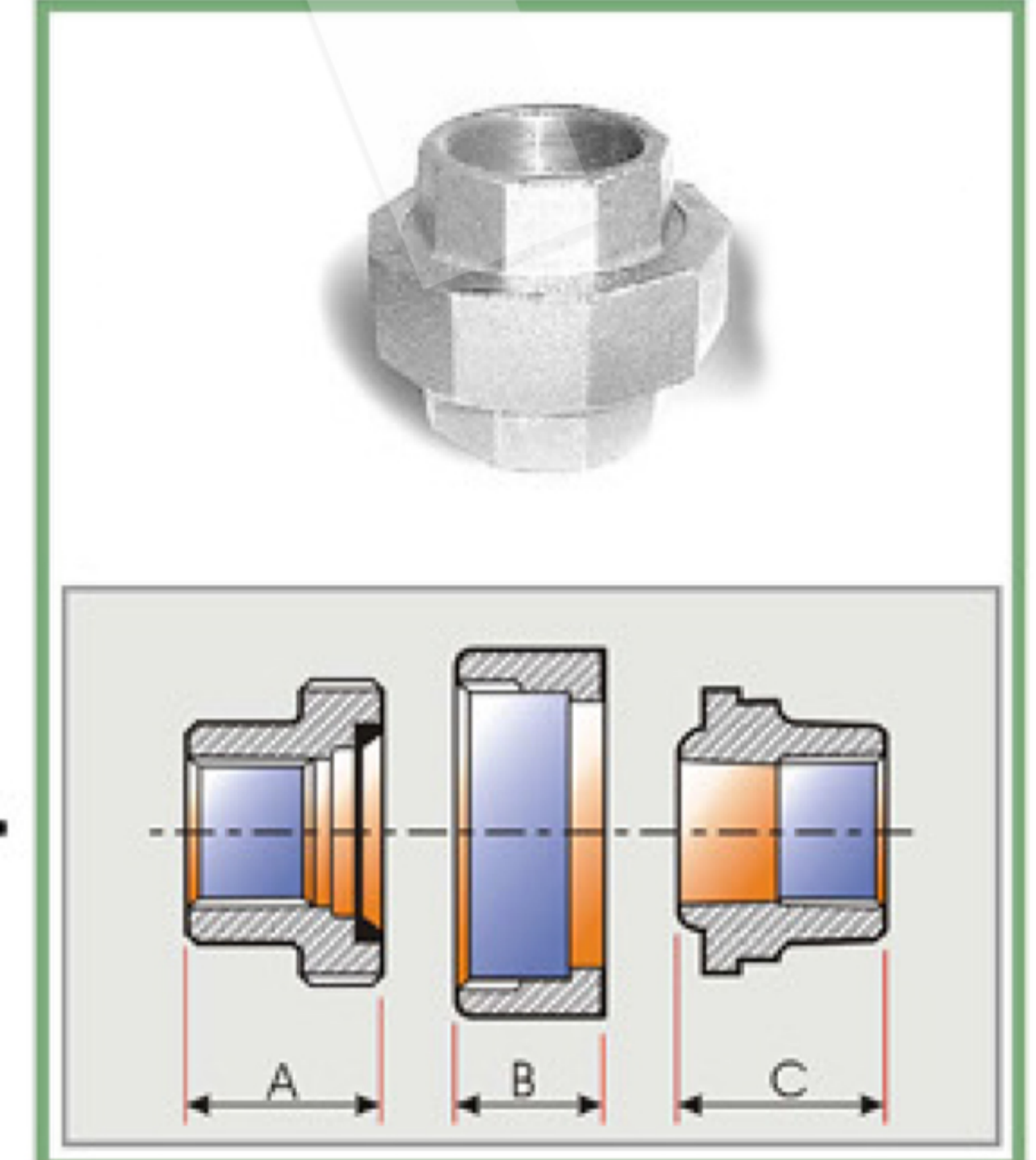
PACKING LISTS and SPECIFICATION STANDARD

MALLEABLE IRON PIPE FITTINGS CLASS 300 lbs.

Size (inch)	Dimensions			Inner Box Pcs./Box	Master Ctn. Pcs./Ctn.	NO. of Inner Box	Weight/Pcs.	N.W./Ctn. (Kgs.)
	A	B	C					
1/8	18.0	16.0	18.0	200	400	2	0.1040	52
1/4	19.5	17.5	22.0	120	240	2	0.1464	35
3/8	22.5	19.0	24.2	90	180	2	0.2080	37
1/2	24.5	20.0	27.0	40	80	2	0.2760	22
3/4	27.5	21.0	29.0	30	60	2	0.3866	23
1	29.0	23.0	32.5	18	36	2	0.6474	23
1 1/4	33.0	26.0	38.0	12	24	2	0.9184	22
1 1/2	35.5	29.0	41.5	10	20	2	1.1435	23
2	42.0	32.0	45.0	6	12	2	1.8716	22
2 1/2	43.5	37.0	51.0	4	8	2	3.0150	24
3	55.5	43.0	58.0	3	6	2	4.8440	29
4	61.5	54.0	64.5	1	2	2	8.4500	17

**UNION CONICAL
BRASS SEAT**

AXHCU



* THE ACTUAL WEIGHT CAN VARY BY \pm 3%